

DIAPHRAGM VACUUM PUMP N 920 G

DATA SHEET E 218



Technical features

- 100% oil-free transfer – thereby pure transferring and evacuation of gases
- High suction speed, particularly in the low vacuum range
- Integrated gas ballast valve
- Integrated rotational speed control enables pumping capacity to be easily adapted manually to process requirements
- Ideal for aggressive/corrosive gases and vapors
- Maintenance-free
- Environmentally friendly

Tip: When combined with the VC 900 vacuum control unit and the connection cable, the rotational speed is controlled in accordance with the requirements of the process.

Technical data

ELECTRICAL DATA

Flow rate [m ³ /h] at atm. pressure	1.26
Flow rate [l/min] at atm. pressure	21
Ultimate vacuum [mbar abs.]	2.0 < 5.0 with gas ballast valve in use
Operating pressure [bar]	0.5
Permissible media temperature [°C]	+5 bis +40
Permissible ambient temperature [°C]	+10 to +40
Mains [V/Hz]	100 - 240/50 - 60
Motor protection	IP 20
Power P ₁ [W]	135
Operating current [A]	1.4
With overcurrent protection and main fuse	

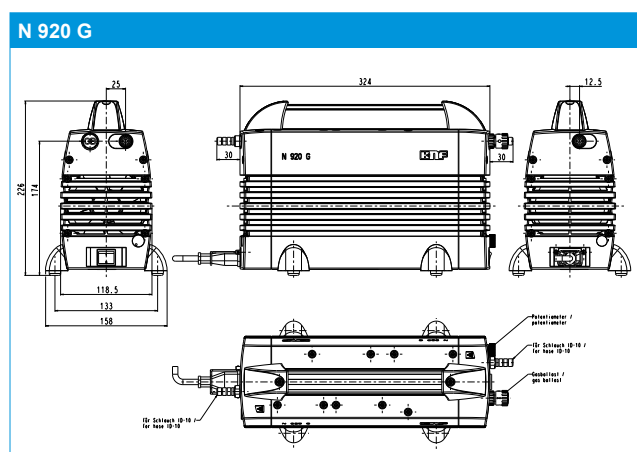
OTHER DATA

Hose connections [mm]	for tube ID 10
Weight [kg]	8.5
Dimensions W x H x D [mm]	158 x 226 x 324

MATERIALS

Pump head	PPS
Diaphragm	PTFE-coated
Valves	FFPM

Dimensions

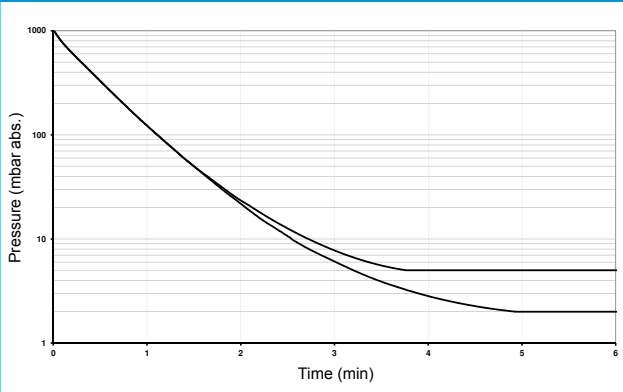


ACCESSORIES

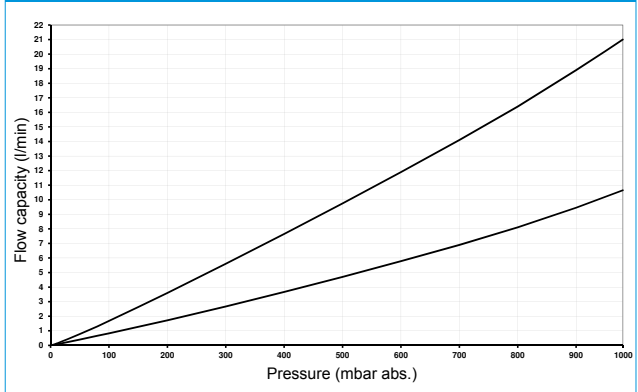
ACCESSORIES	ID
Silencer G 1/8	007006
Fine control valve with vacuum gauge	112432
Small flange, stainless steel SF 16	046625
Spares kit	111905

Performance characteristics

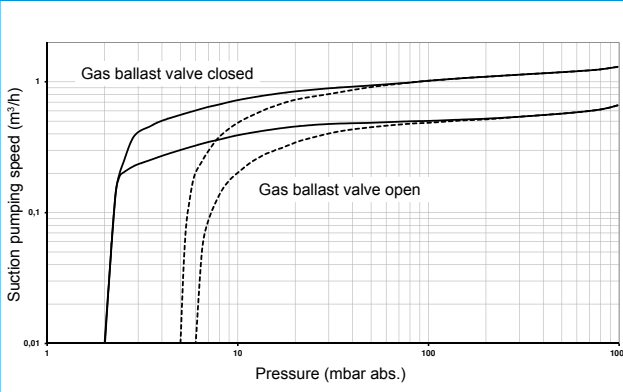
PUMP DOWN TIME FOR 10 LITER RECEIVER AT MAX. MOTOR SPEED, GASBALLAST VALVE OPEN/CLOSED



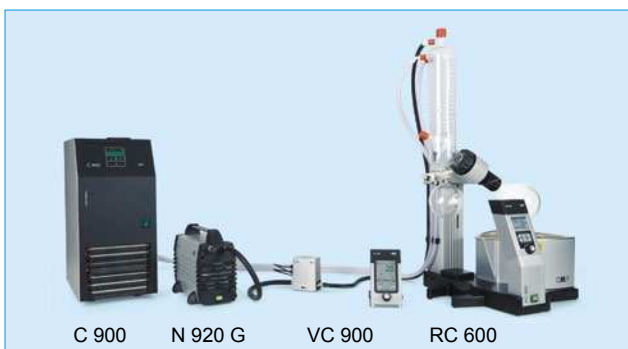
FLOW CAPACITY AT MIN./MAX. MOTOR SPEED GAS BALLAST VALVE CLOSED



SUCTION PUMPING SPEED AT MIN./MAX. MOTOR SPEED GAS BALLAST VALVE OPEN/CLOSED



Combination possibility



YOUR LOCAL PARTNER AROUND THE WORLD

KNF SALES ORGANIZATION

Australia KNF Regional Office
Moreland West VIC 3055
Tel. +61 3 9386 4959
info@knf.com.au
www.knf.com.au

Benelux Netherlands KNF Verder B.V.
3451 GG Vleuten
Tel. +31 30 677 92 40
info@knf-verder.nl
www.knf-verder.nl

Benelux Belgium and Luxemburg
KNF Verder N.V.
2630 Aartselaar
Tel. +32 3 871 96 24
info@knf.be
www.knf.be

China KNF Technology (Shanghai) Co., Ltd.
Shanghai 201203
Tel. +86 21 5109 9695
info@knf.com.cn
www.knf.com.cn

France KNF Neuberger SAS
68128 Village-Neuf
Tel. +33 389 70 35 00
info@knf.fr
www.knf.fr

Germany KNF Neuberger GmbH
79112 Freiburg
Tel. +49 7664 5909 0
info@knf.de
www.knf.de

India KNF Pumps + Systems (India) Pvt. Ltd.
Hinjewadi Pune 411 057
Tel. +91 20 640 13 923
info@knfpumps.in
www.knfpumps.in

Italy KNF Italia S.r.l.
20063 Cernusco s. Naviglio (MI)
Tel. +39 02 929 04 91
info@knf.it
www.knf.it

Japan KNF Japan Co. Ltd.
Tokyo 104-0033
Tel. +81 3 3551 7931
info@knf.co.jp
www.knf.co.jp

Korea KNF Neuberger Ltd.
135-502 Seoul
Tel. +82 2 959 0255
knf@knfkorea.com
www.knfkorea.com

Latin America KNF Regional Office
Tel. +1 609 649 1010
gb@knf.com
www.knf.com/es

Morocco, Tunisia, Algeria
KNF Neuberger SAS
68128 Village-Neuf
Tel. +33 389 70 35 00
info@knf.fr
www.knf.fr

Singapore KNF Regional Office
Tel. +65 9722 1994
info@knf.com.sg
www.knf.com.sg

Sweden, Finland, Denmark, Norway
KNF Neuberger AB
117 43 Stockholm
Tel. +46 8 744 51 13
info@knf.se
www.knf.se

Switzerland KNF Neuberger AG
8362 Balzerswil
Tel. +41 71 973 99 30
knf@knf.ch
www.knf.ch

UK, Ireland KNF Neuberger U.K., Ltd.
Witney, Oxfordshire OX28 4FA
Tel. +44 1993 77 83 73
info@knf.co.uk
www.knf.co.uk

USA, Canada KNF Neuberger, Inc.
Trenton, NJ 08691-1810
Tel. +1 609 890 8600
knfusa@knf.com
www.knfusa.com

KNF PRODUCT CENTERS

Gas Pumps KNF Neuberger GmbH
DE-79112 Freiburg
info@knf.de
www.knf.de

Micro Gas Pumps KNF Micro AG
CH-6260 Reiden
info@knf-micro.ch
www.knf-micro.ch

Liquid Pumps KNF Flodos AG
CH-6210 Sursee
info@knf-flodos.ch
www.knf-flodos.ch