

# N 922 SERIES – 50 HZ VERSION

## CHEMICALLY RESISTANT GAS SAMPLING PUMPS



N 922 FTE



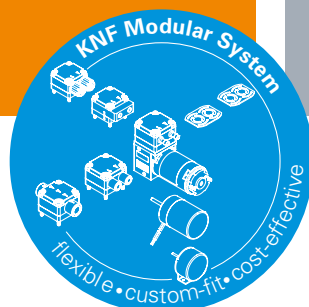
N 922 FT.29 E – flow rate can be adjusted using an integrated bypass valve

### ADVANTAGES

- High chemical resistance
- Robust design
- Easy to service – wearing parts are inexpensively and easy to replace
- Maintenance work can be easily carried out even on assembled analytical systems
- Durable even with difficult operating conditions

### POSSIBLE AREAS OF USE

- Environmental monitoring – especially in stationary emission measurement technology (CEMS)
- Process industry
- Chemical industry



Please visit our website  
[www.knf.com](http://www.knf.com)  
 to get more information

### PERFORMANCE DATA

Series model	N 922 8L		N 922 16L	
	FTE	FT.29 E	FTE	FT.29 E
Pump head	Modified PTFE			
Diaphragm	PTFE-coated			
Valves	FFPM			
Flow rate at atm. pressure (l/min)	7.5 ± 10 %	3.0–7.5 ± 10 %	16.0 ± 10 %	10.0–16.0 ± 10 %
Ultimate vacuum (mbar abs.)	350		200	
Max. operating pressure (bar rel./psig)	1.5/21.8		2.0/29.0	
Permissible ambient temperature (°C)	+5 ... +60 – 0 if frost-free (non-condensing)			
Permissible media temperature (°C)	0 ... +60			
Weight (kg/lbs)	7.3/16.1			

### ELECTRICAL DATA

Voltage (V) Capacitor motor	115   230   100   220
Voltage (V) Three-phase motor	230/400
Protection class motor	IP 55
Protection class pump	IP 54
Frequency (Hz)	50
Power P <sub>1</sub> (W) Capacitor motor	195   185   200   220
Power P <sub>1</sub> (W) Three-phase motor	185
I <sub>max</sub> (A) Capacitor motor	2.70   1.35   2.60   1.20
I <sub>max</sub> (A) Three-phase motor	0.83/0.48

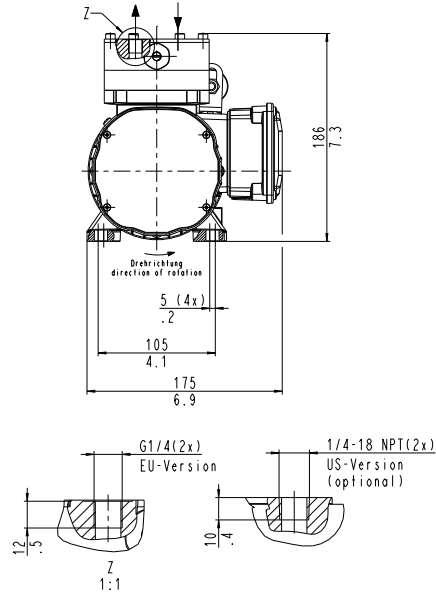
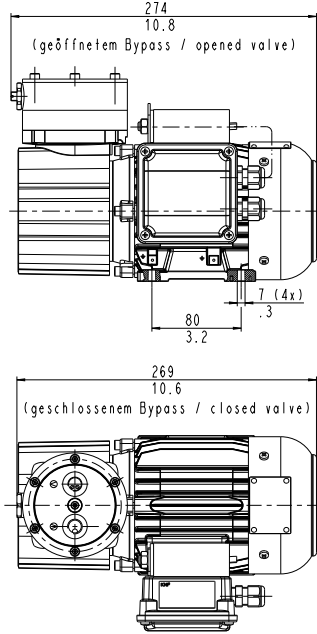
# N 922 FT.29 E 16L – 50 HZ VERSION

## PERFORMANCE DATA

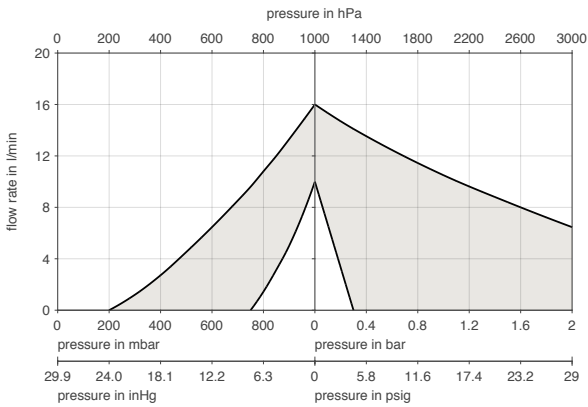
Series model	Flow rate at atm. pressure (l/min)	Max. operating pressure (bar rel./psig)	Ultimate vacuum (mbar abs.)
N 922 FT.29 E 16L	10.0–16.0 ± 10 %	2.0/29.0	200

Flow rate determined at 20 °C, 1013 mbar abs.  
(Pressure 0 to 1013 mbar abs. in accordance with ISO 21360-1/2)

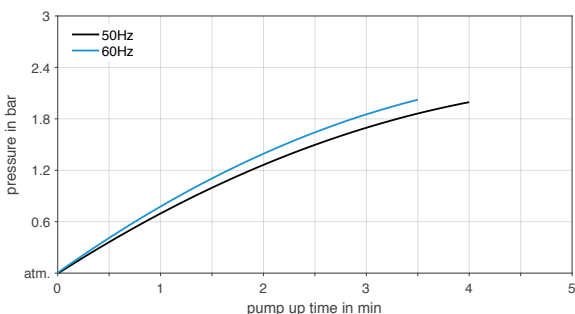
## N 922 FT.29 E 16L



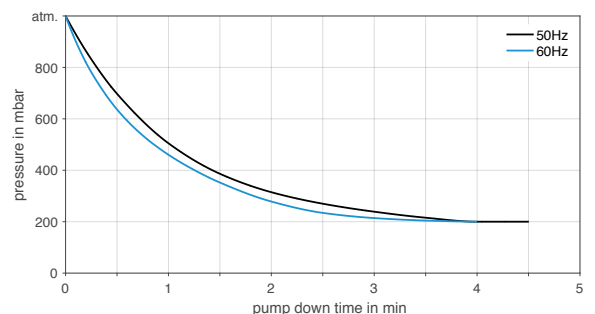
## N 922 FT.29 E 16L



## N 922 FT.29 E 16L | PUMP UP TIME FOR 20 LITER VESSEL



## N 922 FT.29 E 16L | PUMP DOWN TIME FOR 20 LITER VESSEL



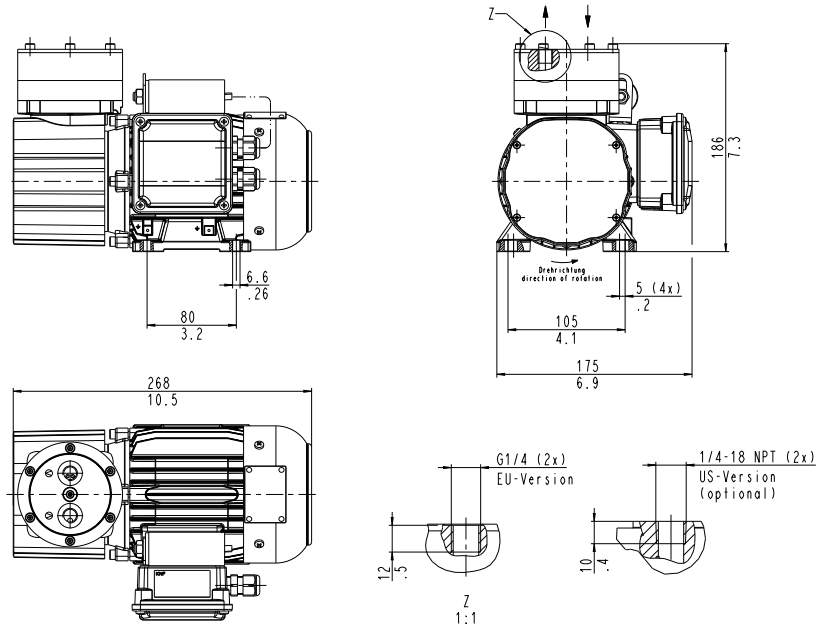
# N 922 FTE 8L – 50 HZ VERSION

## PERFORMANCE DATA

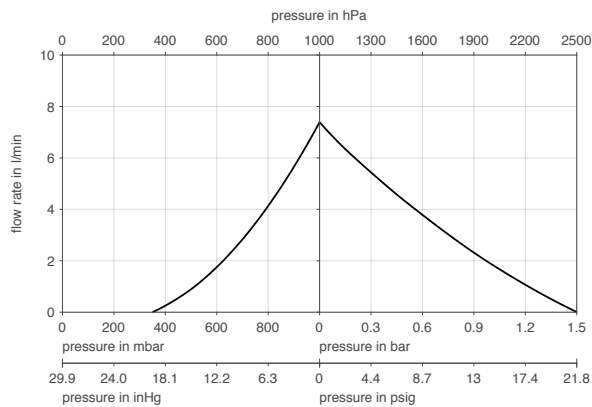
Series model	Flow rate at atm. pressure (l/min)	Max. operating pressure (bar rel./psig)	Ultimate vacuum (mbar abs.)
N 922 FTE 8L	7.5 ± 10 %	1.5/21.8	350

Flow rate determined at 20 °C, 1013 mbar abs.  
 (Pressure 0 to 1013 mbar abs. in accordance with ISO 21360-1/2)

## N 922 FTE 8L

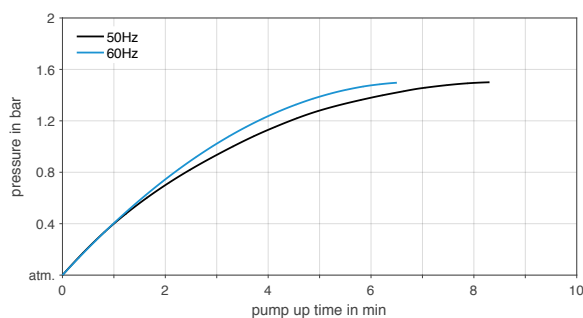


## N 922 FTE 8L

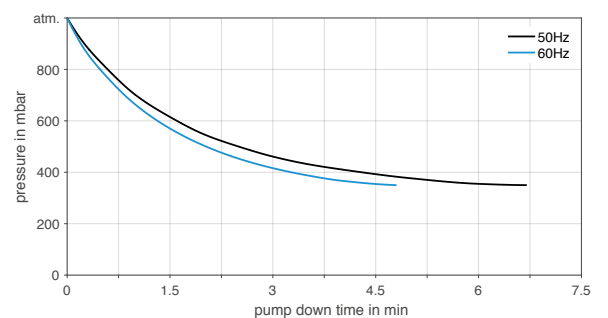


Flow rate determined at 20°C, 1013 mbar abs.  
 (Pressure 0 to 1013 mbar abs. in accordance with ISO 21360-1/2)

## N 922 FTE 8L | PUMP UP TIME FOR 20 LITER VESSEL



## N 922 FTE 8L | PUMP DOWN TIME FOR 20 LITER VESSEL



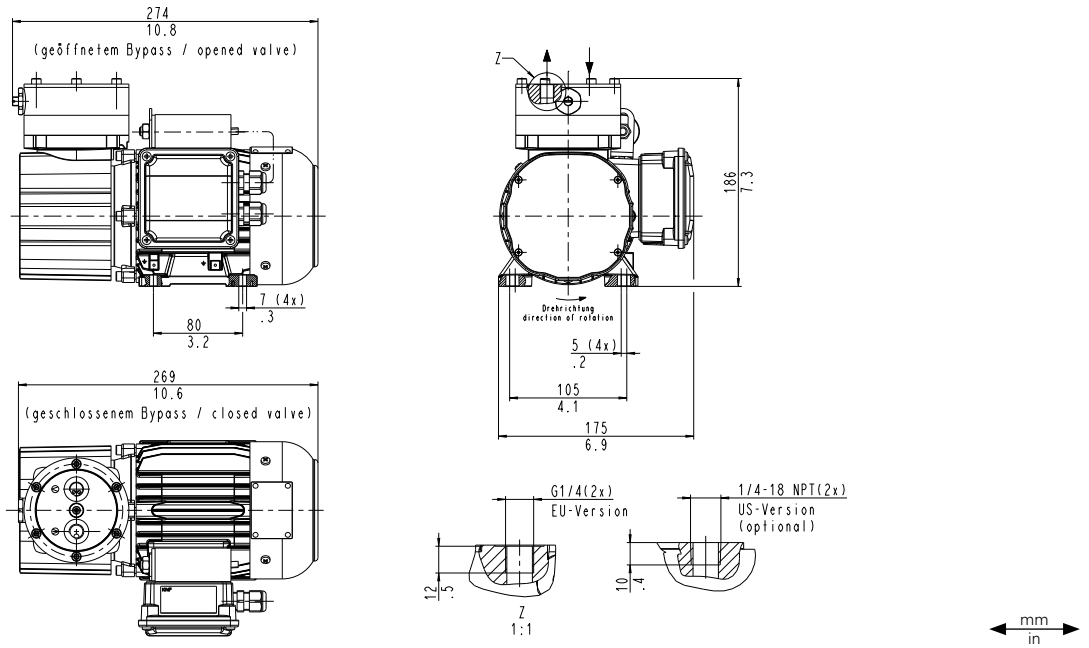
# N 922 FT.29 E 8L – 50 HZ VERSION

## PERFORMANCE DATA

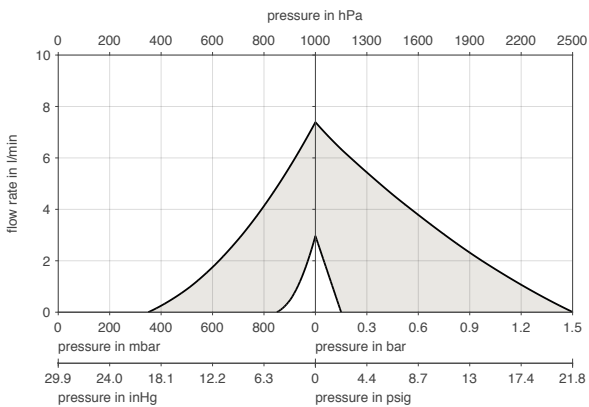
Series model	Flow rate at atm. pressure (l/min)	Max. operating pressure (bar rel./psig)	Ultimate vacuum (mbar abs.)
N 922 FT.29 E 8L	3.0–7.5 ± 10 %	1.5/21.8	350

Flow rate determined at 20 °C, 1013 mbar abs.  
(Pressure 0 to 1013 mbar abs. in accordance with ISO 21360-1/2)

## N 922 FT.29 E 8L

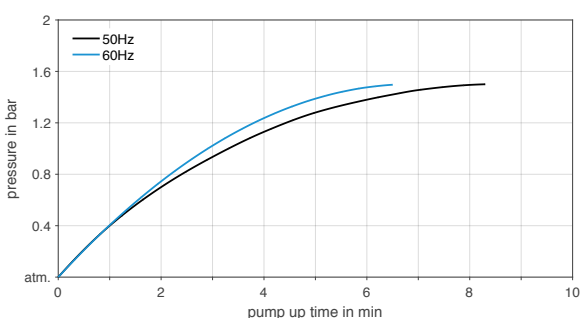


## N 922 FT.29 E 8L

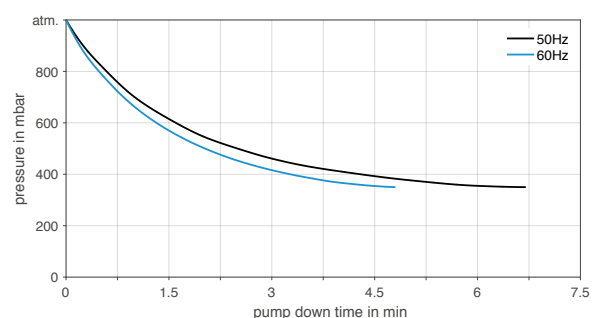


Flow rate determined at 20°C, 1013 mbar abs.  
(Pressure 0 to 1013 mbar abs. in accordance with ISO 21360-1/2)

## N 922 FT.29 E 8L | PUMP UP TIME FOR 20 LITER VESSEL



## N 922 FT.29 E 8L | PUMP DOWN TIME FOR 20 LITER VESSEL



# N 922 FTE 16L – 50 HZ VERSION

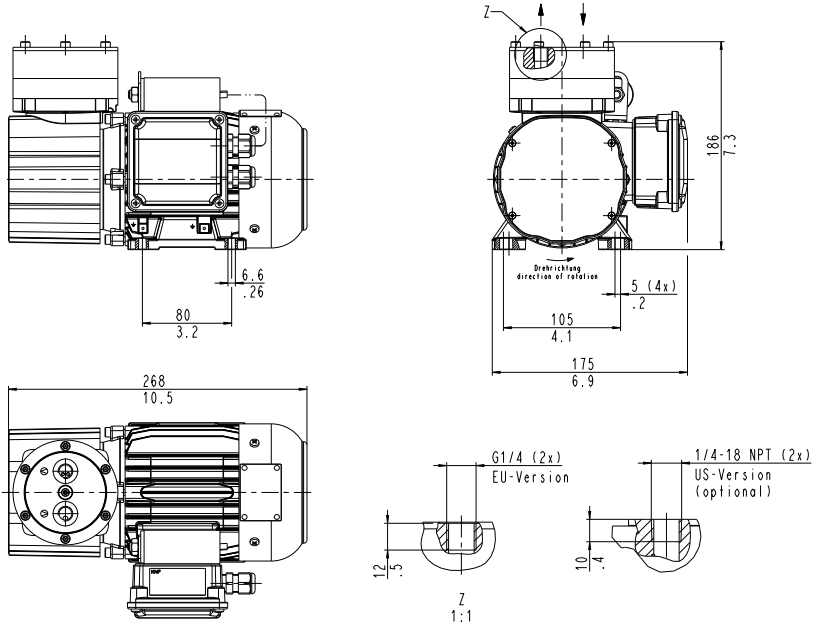
## PERFORMANCE DATA

Series model	Flow rate at atm. pressure (l/min)	Max. operating pressure (bar rel./psig)	Ultimate vacuum (mbar abs.)
N 922 FTE 16L	16.0 ± 10 %	2.0/29.0	200

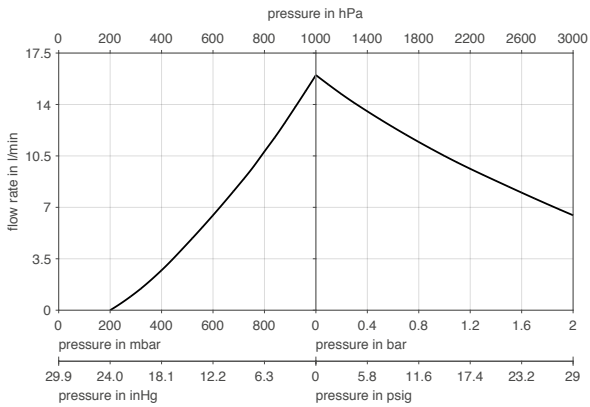
Flow rate determined at 20 °C, 1013 mbar abs.

(Pressure 0 to 1013 mbar abs. in accordance with ISO 21360-1/2)

## N 922 FTE 16L



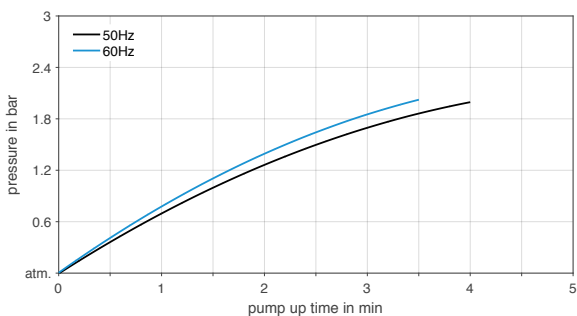
## N 922 FTE 16L



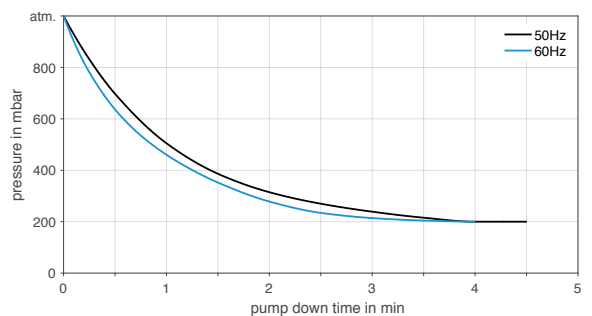
Flow rate determined at 20°C, 1013 mbar abs.

(Pressure 0 to 1013 mbar abs. in accordance with ISO 21360-1/2)

## N 922 FTE 16L | PUMP UP TIME FOR 20 LITER VESSEL



## N 922 FTE 16L | PUMP DOWN TIME FOR 20 LITER VESSEL



## ACCESSORIES

Description	Part No.
Tube fitting for tube ID 6, PVDF	303623
Mounting kit shock mounts	313180
Mounting kit shock mounts and mounting bracket	313181

## SPARE PARTS

Description	Part No.
Spare parts kit N 922 FTE	313515
Spare parts kit N 922 FT.29 E	313516
Throttle valve (only for .29 versions)	309629

The performance values for the series models shown on this data sheet were determined under test conditions. The actual performance values may differ and depend in particular on the usage conditions and therefore on the specific application, on the parameters of the components involved in the user's system and on any technical modifications carried out which deviate from the standard configuration or the as delivered condition.

If individual designs have been created for specific customers on the basis of series models, other technical performance data may apply.

Before operation begins, the relevant operating instructions and/or assembly or installation instructions should be read and the safety information contained in these instructions should be noted.

KNF reserves the right to make changes to the product and the associated documentation without prior notice to the customer.



[www.knf.com](http://www.knf.com)

# YOUR LOCAL PARTNER AROUND THE WORLD

## KNF SALES ORGANIZATION

**Australia** KNF Regional Office  
Moreland West VIC 3055  
Tel. +61 3 9386 4959  
info@knf.com.au  
www.knf.com.au

**Benelux Netherlands** KNF Verder B.V.  
3451 GG Vleuten  
Tel. +31 30 677 92 40  
info@knf-verder.nl  
www.knf-verder.nl

**Benelux Belgium and Luxemburg**  
KNF Verder N.V.  
2630 Aartselaar  
Tel. +32 3 871 96 24  
info@knf.be  
www.knf.be

**China** KNF Technology (Shanghai) Co., Ltd.  
Shanghai 201203  
Tel. +86 21 5109 9695  
info@knf.com.cn  
www.knf.com.cn

**France** KNF Neuberger SAS  
68128 Village-Neuf  
Tel. +33 389 70 35 00  
info@knf.fr  
www.knf.fr

**Germany** KNF Neuberger GmbH  
79112 Freiburg  
Tel. +49 7664 5909 0  
info@knf.de  
www.knf.de

**India** KNF Pumps + Systems (India) Pvt. Ltd.  
Hinjewadi Pune 411 057  
Tel. +91 20 640 13 923  
info@knfpumps.in  
www.knfpumps.in

**Italy** KNF Italia S.r.l.  
20063 Cernusco s. Naviglio (MI)  
Tel. +39 02 929 04 91  
info@knf.it  
www.knf.it

**Japan** KNF Japan Co. Ltd.  
Tokyo 104-0033  
Tel. +81 3 3551 7931  
info@knf.co.jp  
www.knf.co.jp

**Korea** KNF Neuberger Ltd.  
135-502 Seoul  
Tel. +82 2 959 0255  
knf@knfkorea.com  
www.knfkorea.com

**Latin America** KNF Regional Office  
Tel. +1 609 649 1010  
gb@knf.com  
www.knf.com/es

**Morocco, Tunisia, Algeria**  
KNF Neuberger SAS  
68128 Village-Neuf  
Tel. +33 389 70 35 00  
info@knf.fr  
www.knf.fr

**Singapore** KNF Regional Office  
Tel. +65 9722 1994  
info@knf.com.sg  
www.knf.com.sg

**Sweden, Finland, Denmark, Norway**  
KNF Neuberger AB  
117 43 Stockholm  
Tel. +46 8 744 51 13  
info@knf.se  
www.knf.se

**Switzerland** KNF Neuberger AG  
8362 Balzerswil  
Tel. +41 71 973 99 30  
knf@knf.ch  
www.knf.ch

**UK, Ireland** KNF Neuberger U.K., Ltd.  
Witney, Oxfordshire OX28 4FA  
Tel. +44 1993 77 83 73  
info@knf.co.uk  
www.knf.co.uk

**USA, Canada** KNF Neuberger, Inc.  
Trenton, NJ 08691-1810  
Tel. +1 609 890 8600  
knfusa@knf.com  
www.knfusa.com

## KNF PRODUCT CENTERS

**Gas Pumps** KNF Neuberger GmbH  
DE-79112 Freiburg  
info@knf.de  
www.knf.de

**Micro Gas Pumps** KNF Micro AG  
CH-6260 Reiden  
info@knf-micro.ch  
www.knf-micro.ch

**Liquid Pumps** KNF Flodos AG  
CH-6210 Sursee  
info@knf-flodos.ch  
www.knf-flodos.ch