

N 922 SERIES – 50 HZ VERSION

CHEMICALLY RESISTANT GAS SAMPLING PUMPS



N 922 FTE



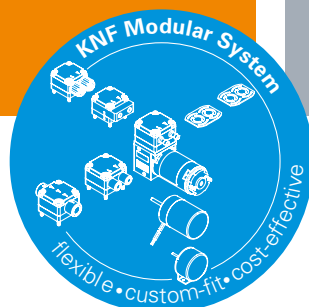
N 922 FT.29 E – flow rate can be adjusted using an integrated bypass valve

ADVANTAGES

- High chemical resistance
- Robust design
- Easy to service – wearing parts are inexpensively and easy to replace
- Maintenance work can be easily carried out even on assembled analytical systems
- Durable even with difficult operating conditions

POSSIBLE AREAS OF USE

- Environmental monitoring – especially in stationary emission measurement technology (CEMS)
- Process industry
- Chemical industry



Please visit our website
www.knf.com
 to get more information

PERFORMANCE DATA

Series model	N 922 8L		N 922 16L	
	FTE	FT.29 E	FTE	FT.29 E
Pump head	Modified PTFE			
Diaphragm	PTFE-coated			
Valves	FFPM			
Flow rate at atm. pressure (l/min)	7.5 ± 10 %	3.0–7.5 ± 10 %	16.0 ± 10 %	10.0–16.0 ± 10 %
Ultimate vacuum (mbar abs.)	350		200	
Max. operating pressure (bar rel./psig)	1.5/21.8		2.0/29.0	
Permissible ambient temperature (°C)	+5 ... +60 – 0 if frost-free (non-condensing)			
Permissible media temperature (°C)	0 ... +60			
Weight (kg/lbs)	7.3/16.1			

ELECTRICAL DATA

Voltage (V) Capacitor motor	115 230 100 220
Voltage (V) Three-phase motor	230/400
Protection class motor	IP 55
Protection class pump	IP 54
Frequency (Hz)	50
Power P ₁ (W) Capacitor motor	195 185 200 220
Power P ₁ (W) Three-phase motor	185
I _{max} (A) Capacitor motor	2.70 1.35 2.60 1.20
I _{max} (A) Three-phase motor	0.83/0.48

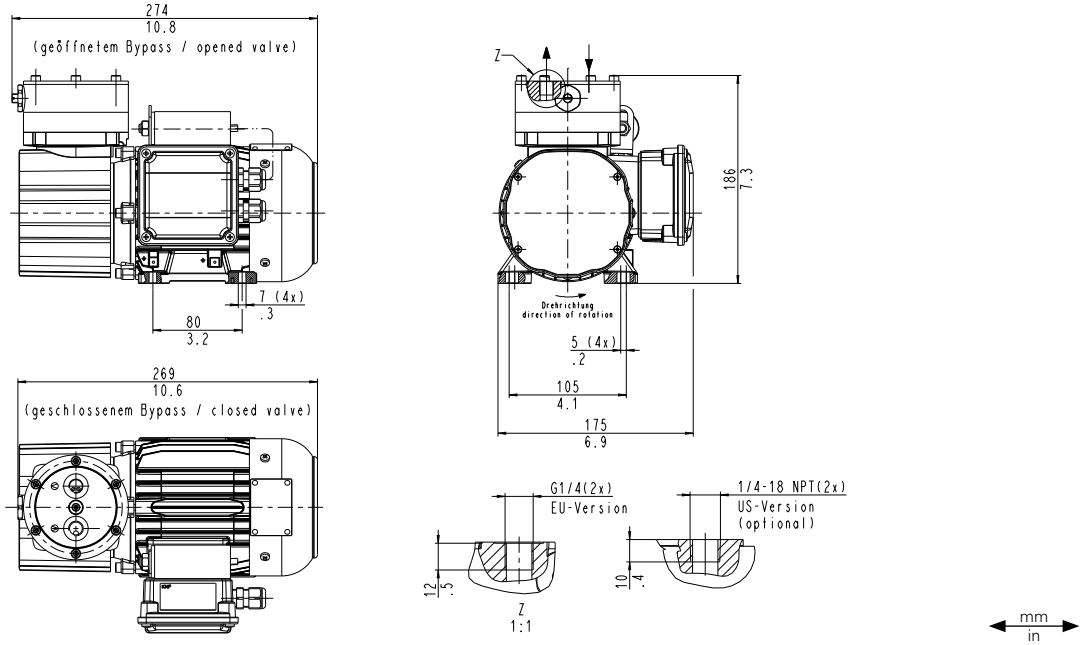
N 922 FT.29 E 16L – 50 HZ VERSION

PERFORMANCE DATA

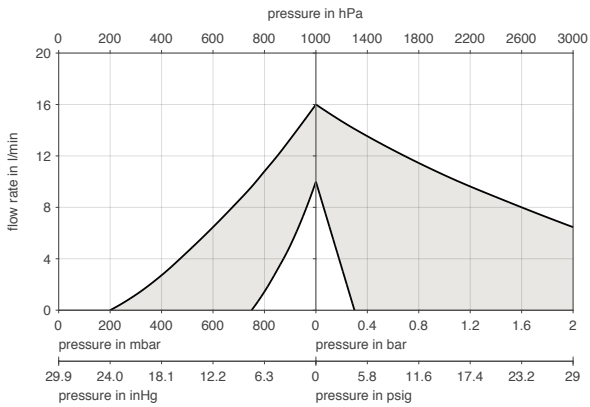
Series model	Flow rate at atm. pressure (l/min)	Max. operating pressure (bar rel./psig)	Ultimate vacuum (mbar abs.)
N 922 FT.29 E 16L	10.0–16.0 ± 10 %	2.0/29.0	200

Flow rate determined at 20 °C, 1013 mbar abs.
(Pressure 0 to 1013 mbar abs. in accordance with ISO 21360-1/2)

N 922 FT.29 E 16L

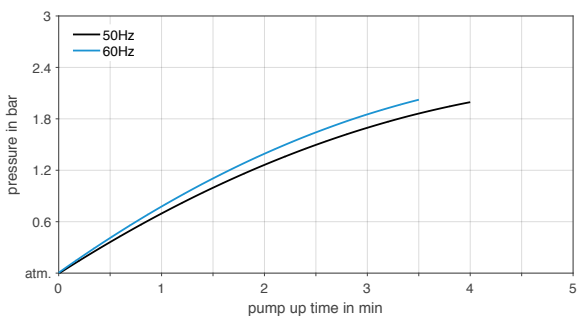


N 922 FT.29 E 16L

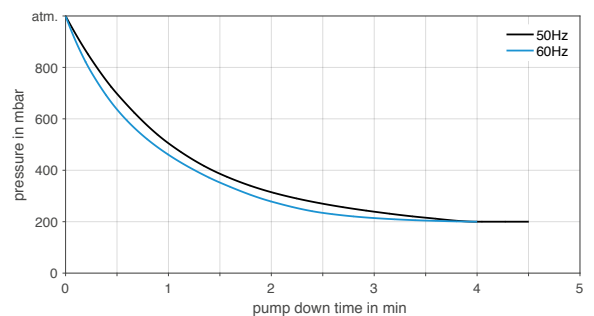


Flow rate determined at 20°C, 1013 mbar abs.
(Pressure 0 to 1013 mbar abs. in accordance with ISO 21360-1/2)

N 922 FT.29 E 16L | PUMP UP TIME FOR 20 LITER VESSEL



N 922 FT.29 E 16L | PUMP DOWN TIME FOR 20 LITER VESSEL



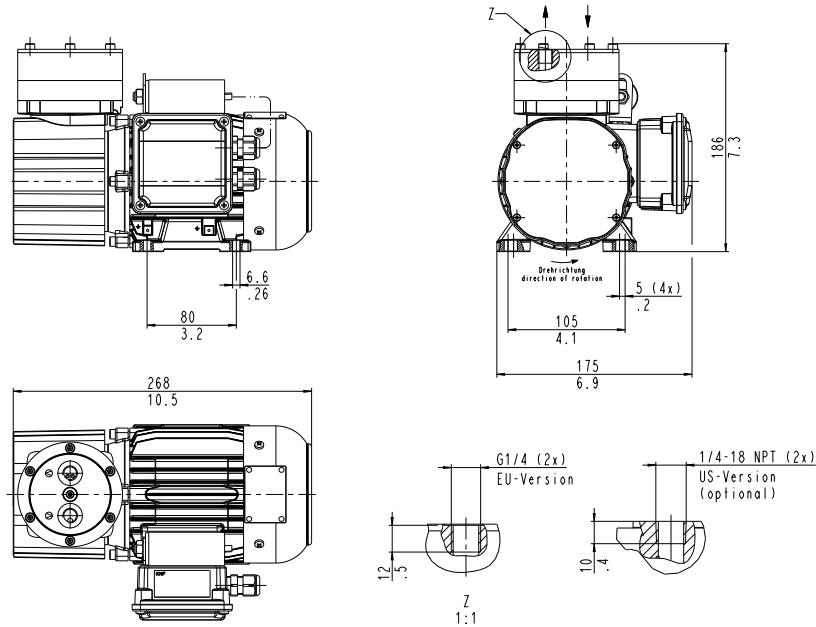
N 922 FTE 8L – 50 HZ VERSION

PERFORMANCE DATA

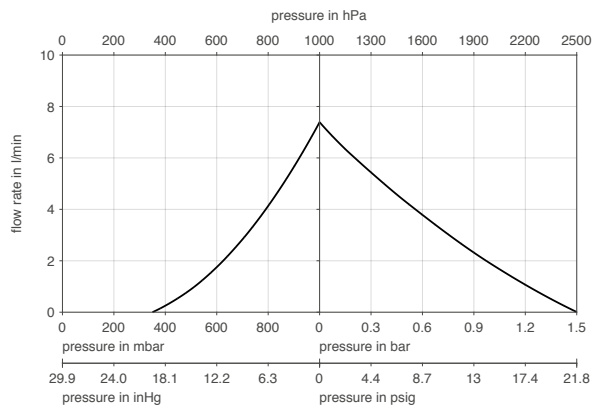
Series model	Flow rate at atm. pressure (l/min)	Max. operating pressure (bar rel./psig)	Ultimate vacuum (mbar abs.)
N 922 FTE 8L	7.5 ± 10 %	1.5/21.8	350

Flow rate determined at 20 °C, 1013 mbar abs.
(Pressure 0 to 1013 mbar abs. in accordance with ISO 21360-1/2)

N 922 FTE 8L

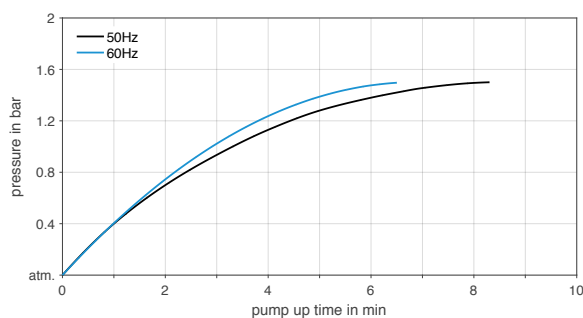


N 922 FTE 8L

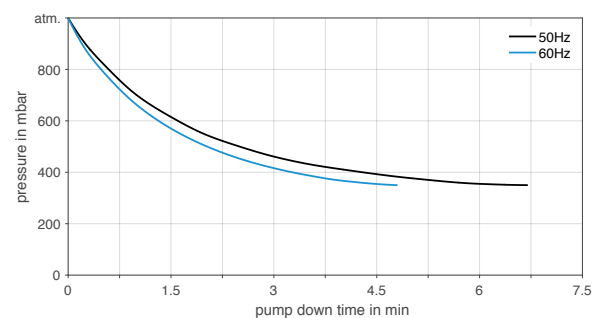


Flow rate determined at 20°C, 1013 mbar abs.
(Pressure 0 to 1013 mbar abs. in accordance with ISO 21360-1/2)

N 922 FTE 8L | PUMP UP TIME FOR 20 LITER VESSEL



N 922 FTE 8L | PUMP DOWN TIME FOR 20 LITER VESSEL



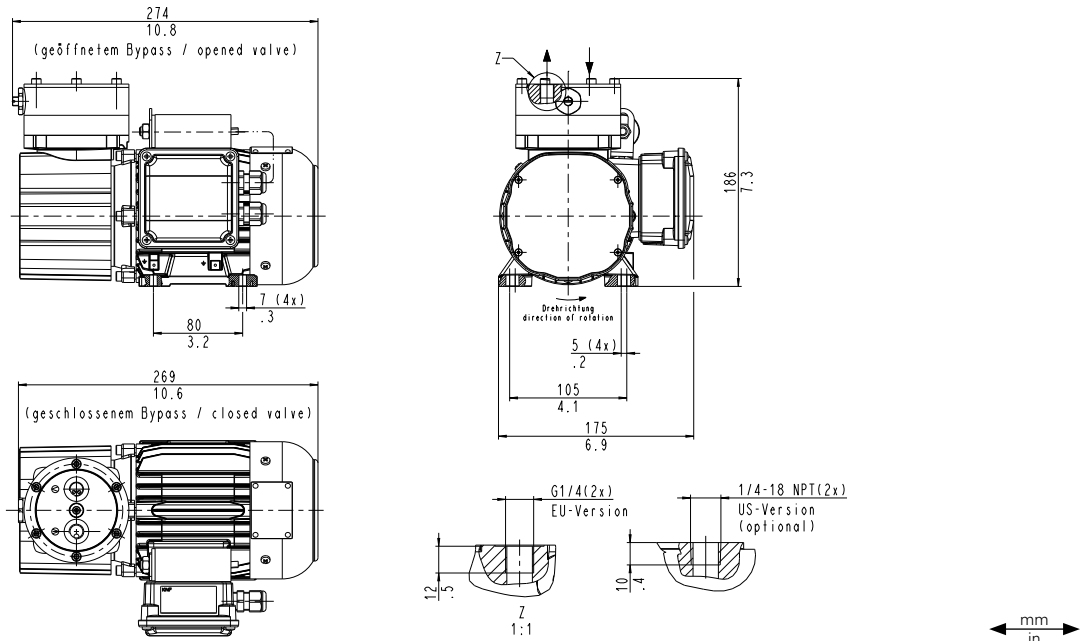
N 922 FT.29 E 8L – 50 HZ VERSION

PERFORMANCE DATA

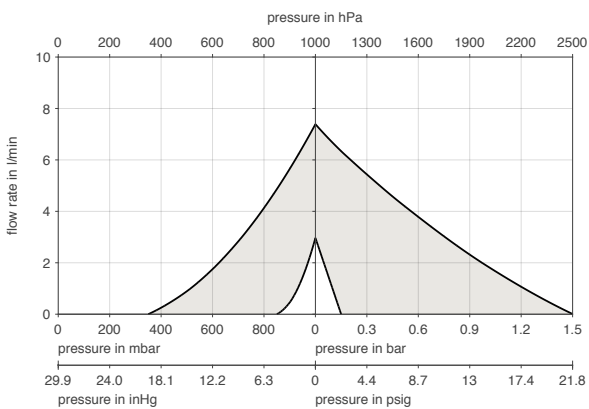
Series model	Flow rate at atm. pressure (l/min)	Max. operating pressure (bar rel./psig)	Ultimate vacuum (mbar abs.)
N 922 FT.29 E 8L	3.0–7.5 ± 10 %	1.5/21.8	350

Flow rate determined at 20 °C, 1013 mbar abs.
(Pressure 0 to 1013 mbar abs. in accordance with ISO 21360-1/2)

N 922 FT.29 E 8L

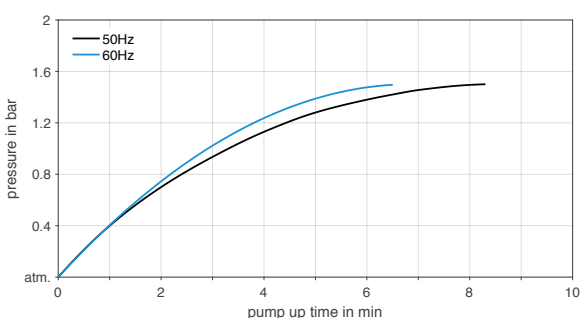


N 922 FT.29 E 8L

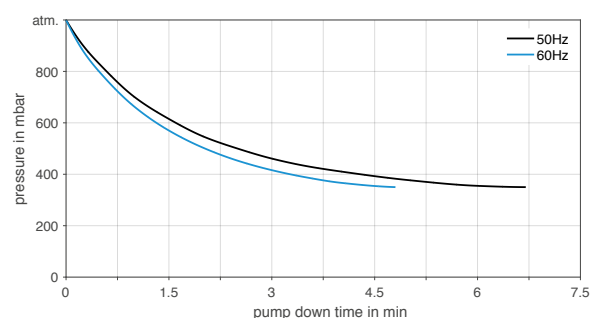


Flow rate determined at 20°C, 1013 mbar abs.
(Pressure 0 to 1013 mbar abs. in accordance with ISO 21360-1/2)

N 922 FT.29 E 8L | PUMP UP TIME FOR 20 LITER VESSEL



N 922 FT.29 E 8L | PUMP DOWN TIME FOR 20 LITER VESSEL



N 922 FTE 16L – 50 HZ VERSION

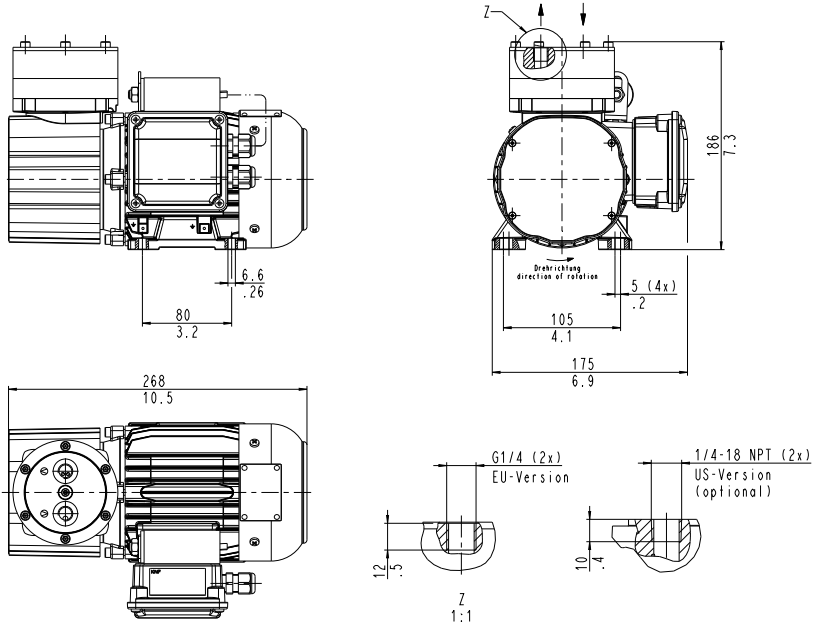
PERFORMANCE DATA

Series model	Flow rate at atm. pressure (l/min)	Max. operating pressure (bar rel./psig)	Ultimate vacuum (mbar abs.)
N 922 FTE 16L	16.0 ± 10 %	2.0/29.0	200

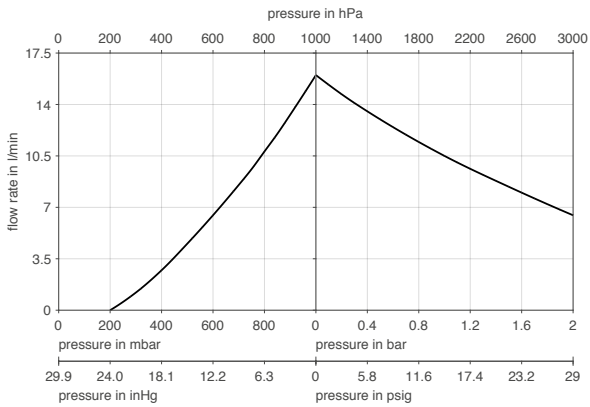
Flow rate determined at 20 °C, 1013 mbar abs.

(Pressure 0 to 1013 mbar abs. in accordance with ISO 21360-1/2)

N 922 FTE 16L



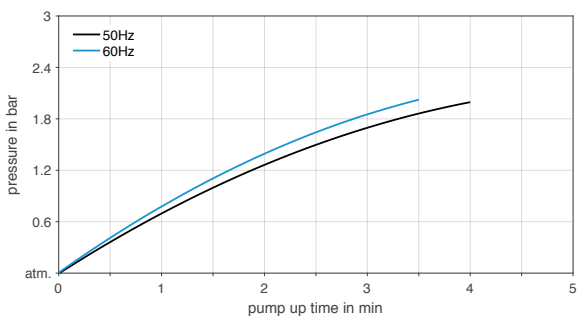
N 922 FTE 16L



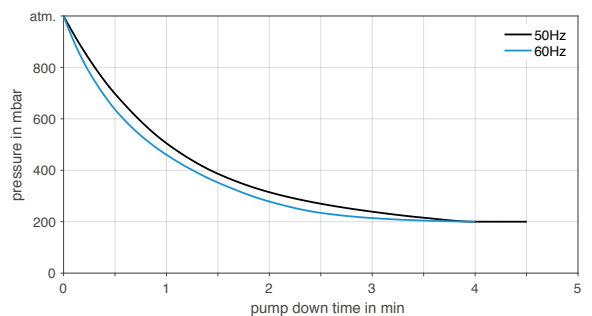
Flow rate determined at 20°C, 1013 mbar abs.

(Pressure 0 to 1013 mbar abs. in accordance with ISO 21360-1/2)

N 922 FTE 16L | PUMP UP TIME FOR 20 LITER VESSEL



N 922 FTE 16L | PUMP DOWN TIME FOR 20 LITER VESSEL



ACCESSORIES

Description	Part No.
Tube fitting for tube ID 6, PVDF	303623
Mounting kit shock mounts	313180
Mounting kit shock mounts and mounting bracket	313181

SPARE PARTS

Description	Part No.
Spare parts kit N 922 FTE	313515
Spare parts kit N 922 FT.29 E	313516
Throttle valve (only for .29 versions)	309629

The performance values for the series models shown on this data sheet were determined under test conditions. The actual performance values may differ and depend in particular on the usage conditions and therefore on the specific application, on the parameters of the components involved in the user's system and on any technical modifications carried out which deviate from the standard configuration or the as delivered condition.

If individual designs have been created for specific customers on the basis of series models, other technical performance data may apply.

Before operation begins, the relevant operating instructions and/or assembly or installation instructions should be read and the safety information contained in these instructions should be noted.

KNF reserves the right to make changes to the product and the associated documentation without prior notice to the customer.



www.knf.com

YOUR LOCAL PARTNER AROUND THE WORLD

KNF SALES ORGANIZATION

Australia KNF Regional Office
Moreland West VIC 3055
Tel. +61 3 9386 4959
info@knf.com.au
www.knf.com.au

Benelux Netherlands KNF Verder B.V.
3451 GG Vleuten
Tel. +31 30 677 92 40
info@knf-verder.nl
www.knf-verder.nl

Benelux Belgium and Luxemburg
KNF Verder N.V.
2630 Aartselaar
Tel. +32 3 871 96 24
info@knf.be
www.knf.be

China KNF Technology (Shanghai) Co., Ltd.
Shanghai 201203
Tel. +86 21 5109 9695
info@knf.com.cn
www.knf.com.cn

France KNF Neuberger SAS
68128 Village-Neuf
Tel. +33 389 70 35 00
info@knf.fr
www.knf.fr

Germany KNF Neuberger GmbH
79112 Freiburg
Tel. +49 7664 5909 0
info@knf.de
www.knf.de

India KNF Pumps + Systems (India) Pvt. Ltd.
Hinjewadi Pune 411 057
Tel. +91 20 640 13 923
info@knfpumps.in
www.knfpumps.in

Italy KNF Italia S.r.l.
20063 Cernusco s. Naviglio (MI)
Tel. +39 02 929 04 91
info@knf.it
www.knf.it

Japan KNF Japan Co. Ltd.
Tokyo 104-0033
Tel. +81 3 3551 7931
info@knf.co.jp
www.knf.co.jp

Korea KNF Neuberger Ltd.
135-502 Seoul
Tel. +82 2 959 0255
knf@knfkorea.com
www.knfkorea.com

Latin America KNF Regional Office
Tel. +1 609 649 1010
gb@knf.com
www.knf.com/es

Morocco, Tunisia, Algeria
KNF Neuberger SAS
68128 Village-Neuf
Tel. +33 389 70 35 00
info@knf.fr
www.knf.fr

Singapore KNF Regional Office
Tel. +65 9722 1994
info@knf.com.sg
www.knf.com.sg

Sweden, Finland, Denmark, Norway
KNF Neuberger AB
117 43 Stockholm
Tel. +46 8 744 51 13
info@knf.se
www.knf.se

Switzerland KNF Neuberger AG
8362 Balzerswil
Tel. +41 71 973 99 30
knf@knf.ch
www.knf.ch

UK, Ireland KNF Neuberger U.K., Ltd.
Witney, Oxfordshire OX28 4FA
Tel. +44 1993 77 83 73
info@knf.co.uk
www.knf.co.uk

USA, Canada KNF Neuberger, Inc.
Trenton, NJ 08691-1810
Tel. +1 609 890 8600
knfusa@knf.com
www.knfusa.com

KNF PRODUCT CENTERS

Gas Pumps KNF Neuberger GmbH
DE-79112 Freiburg
info@knf.de
www.knf.de

Micro Gas Pumps KNF Micro AG
CH-6260 Reiden
info@knf-micro.ch
www.knf-micro.ch

Liquid Pumps KNF Flodos AG
CH-6210 Sursee
info@knf-flodos.ch
www.knf-flodos.ch