

# NPK 25, NPK 050 AND NPK 0100 SERIES SWING PISTON VACUUM PUMPS AND COMPRESSORS



NPK 25 AC



NPK 050 AC



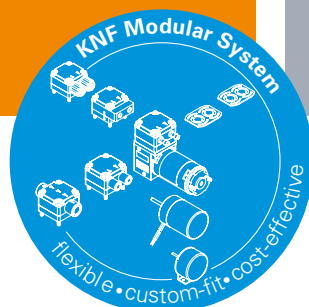
NPK 0100 AC

## ADVANTAGES

- High level of performance in a compact size
- High pressure up to 5 bar rel./72.5 psig
- Robust design

## POSSIBLE AREAS OF USE

- Medical technology – particularly for independent supply of compressed air
- Environmental technology – especially for scavenging air



Please visit our website  
[www.knf.com](http://www.knf.com)  
to get more information

## PERFORMANCE DATA

Series model	NPK 25 DC	NPK 25 AC	NPK 050 AC	NPK 0100 AC
Flow rate at atm. pressure (l/min)	25.0	30.0	50.0	78.0
Ultimate vacuum (mbar abs.)	180		80	
Max. operating pressure (bar rel./psig)	4.0/58.0	5.0/72.5	2.0/29.0	
Permissible ambient temperature (°C)	+5 ... +40			
Permissible media temperature (°C)	+5 ... +40			
Weight (kg/lbs)	4.3/9.5	5.2/11.4	5.6/12.3	7.8/17.2

## ELECTRICAL DATA

Voltage (V)	24	230		
Motor	DC motor	Capacitor motor		
Protection class motor	IP 50	IP 20		
Frequency (Hz)	-	50		
Power P <sub>1</sub> (W)	92.0	230	240	320
I <sub>max</sub> (A)	3.80	1.20	1.30	1.50

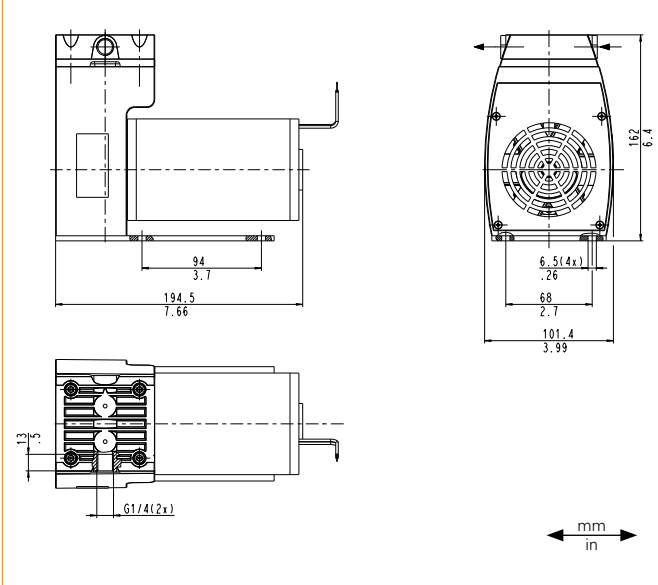
# NPK 25 DC

## PERFORMANCE DATA

Series model	Flow rate at atm. pressure (l/min) <sup>1)</sup>	Max. operating pressure (bar rel./psig)	Ultimate vacuum (mbar abs.)
NPK 25 DC	25.0	4.0/58.0	180

<sup>1)</sup> Liter at STP

### NPK 25 DC



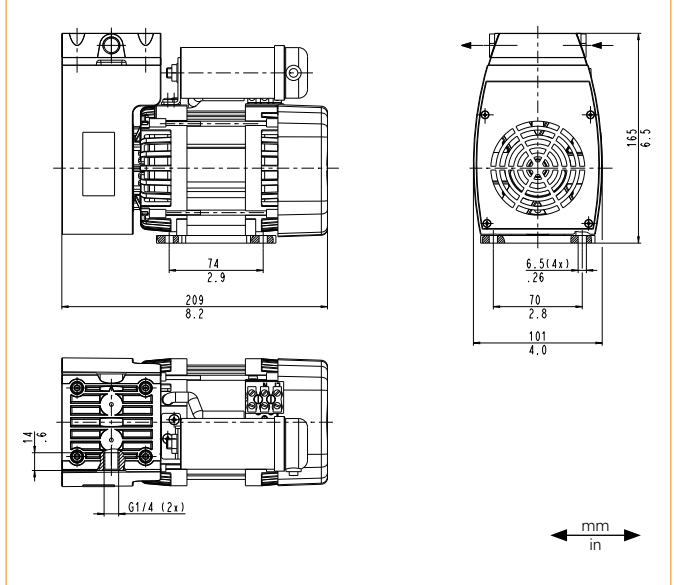
# NPK 25 AC

## PERFORMANCE DATA

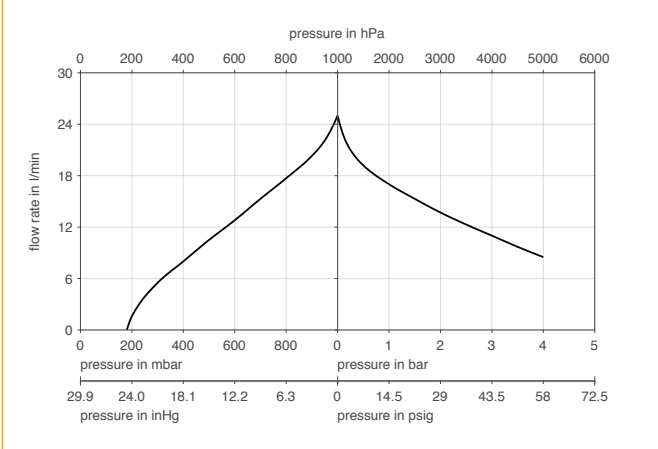
Series model	Flow rate at atm. pressure (l/min) <sup>1)</sup>	Max. operating pressure (bar rel./psig)	Ultimate vacuum (mbar abs.)
NPK 25 AC	30.0	5.0/72.5	180

<sup>1)</sup> Liter at STP

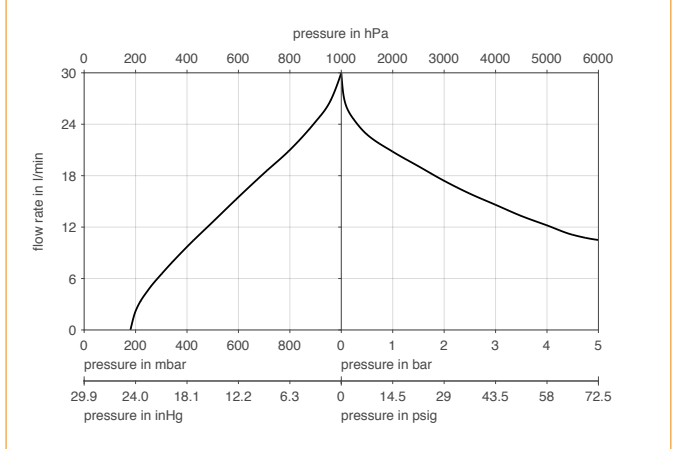
### NPK 25 AC



### NPK 25 DC



### NPK 25 AC



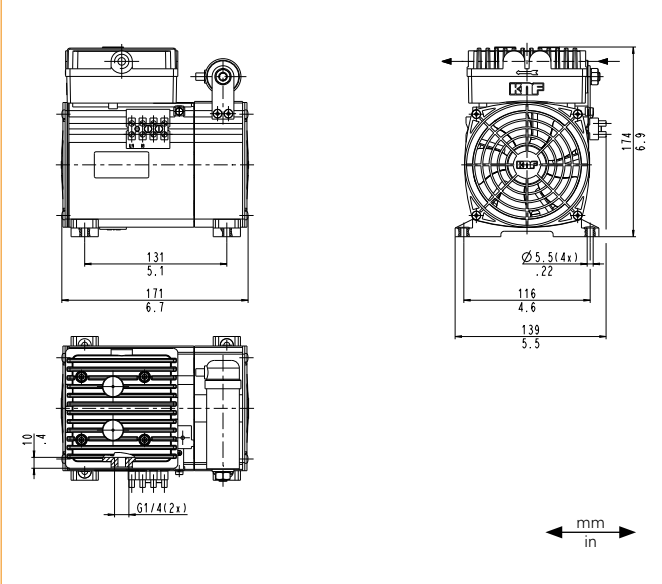
# NPK 050 AC

## PERFORMANCE DATA

Series model	Flow rate at atm. pressure (l/min) <sup>1)</sup>	Max. operating pressure (bar rel./psig)	Ultimate vacuum (mbar abs.)
NPK 050 AC	50.0	2.0/29.0	80

<sup>1)</sup> Liter at STP

### NPK 050 AC



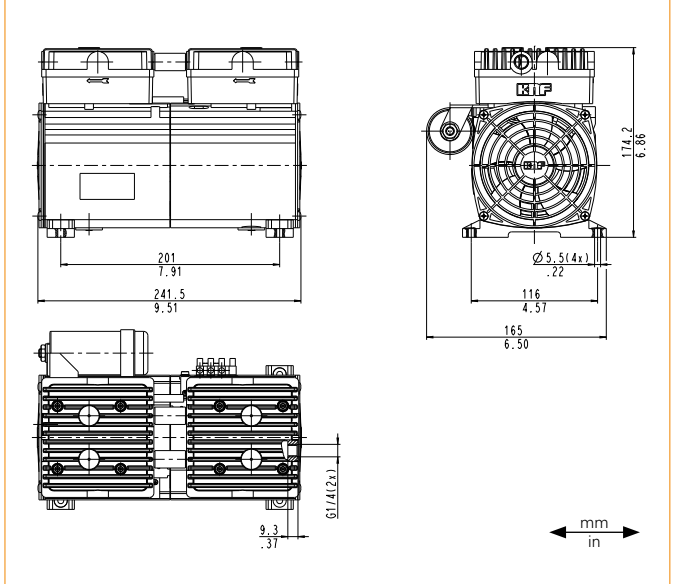
# NPK 0100 AC

## PERFORMANCE DATA

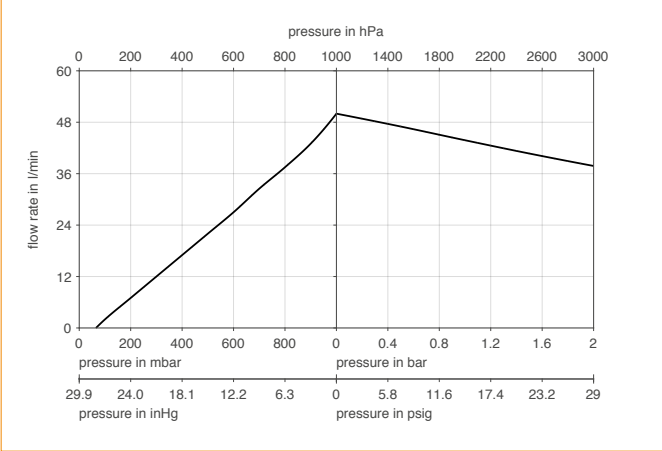
Series model	Flow rate at atm. pressure (l/min) <sup>1)</sup>	Max. operating pressure (bar rel./psig)	Ultimate vacuum (mbar abs.)
NPK 0100 AC	78.0	2.0/29.0	80

<sup>1)</sup> Liter at STP

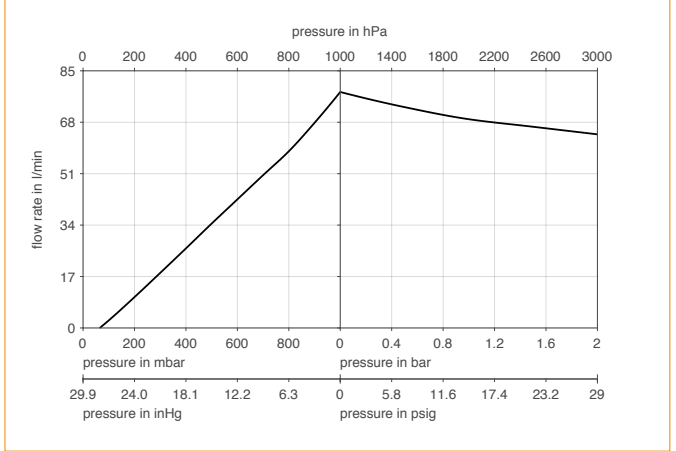
### NPK 0100 AC



### NPK 050 AC



### NPK 0100 AC



## ACCESSORIES

Description	Part No.	Details
Silencer/Inlet filter G 1/4	007007	NPK 25
Silencer/Inlet filter G 1/4	020381	NPK 050
Silencer/Inlet filter G 1/4	020414	NPK 0100
Hose connector G 1/4 for tube ID 9 mm	000362	NPK 25   050   0100
Gasket for hose connector	001818	NPK 25   050   0100

## SPARE PARTS

Description	Part No.	Details
<b>Spare parts NPK 25</b>		
Piston seal	112635	
Valve plate	113984	
Countersunk screw	110712	
O-ring D 32 x 2.0	116407	
O-ring D 8.0 x 1.0	116408	
O-ring D 50 x 2.0	006709	
<b>Spare parts NPK 050   0100</b>		
Piston seal	024822	
Reed valves	017592	
Countersunk screw NPK 050	024848	
Countersunk screw NPK 0100	024847	
Gasket	017410	
O-ring D 70 x 2.0	002443	

The performance values for the series models shown on this data sheet were determined under test conditions. The actual performance values may differ and depend in particular on the usage conditions and therefore on the specific application, on the parameters of the components involved in the user's system and on any technical modifications carried out which deviate from the standard configuration or the as delivered condition.

If individual designs have been created for specific customers on the basis of series models, other technical performance data may apply.

Before operation begins, the relevant operating instructions and/or assembly or installation instructions should be read and the safety information contained in these instructions should be noted.

KNF reserves the right to make changes to the product and the associated documentation without prior notice to the customer.



[www.knf.com](http://www.knf.com)

# YOUR LOCAL PARTNER AROUND THE WORLD

## KNF SALES ORGANIZATION

**Australia** KNF Regional Office  
Moreland West VIC 3055  
Tel. +61 3 9386 4959  
info@knf.com.au  
www.knf.com.au

**Benelux Netherlands** KNF Verder B.V.  
3451 GG Vleuten  
Tel. +31 30 677 92 40  
info@knf-verder.nl  
www.knf-verder.nl

**Benelux Belgium and Luxemburg**  
KNF Verder N.V.  
2630 Aartselaar  
Tel. +32 3 871 96 24  
info@knf.be  
www.knf.be

**China** KNF Technology (Shanghai) Co., Ltd.  
Shanghai 201203  
Tel. +86 21 5109 9695  
info@knf.com.cn  
www.knf.com.cn

**France** KNF Neuberger SAS  
68128 Village-Neuf  
Tel. +33 389 70 35 00  
info@knf.fr  
www.knf.fr

**Germany** KNF Neuberger GmbH  
79112 Freiburg  
Tel. +49 7664 5909 0  
info@knf.de  
www.knf.de

**India** KNF Pumps + Systems (India) Pvt. Ltd.  
Hinjewadi Pune 411 057  
Tel. +91 20 640 13 923  
info@knfpumps.in  
www.knfpumps.in

**Italy** KNF Italia S.r.l.  
20063 Cernusco s. Naviglio (MI)  
Tel. +39 02 929 04 91  
info@knf.it  
www.knf.it

**Japan** KNF Japan Co. Ltd.  
Tokyo 104-0033  
Tel. +81 3 3551 7931  
info@knf.co.jp  
www.knf.co.jp

**Korea** KNF Neuberger Ltd.  
135-502 Seoul  
Tel. +82 2 959 0255  
knf@knfkorea.com  
www.knfkorea.com

**Latin America** KNF Regional Office  
Tel. +1 609 649 1010  
gb@knf.com  
www.knf.com/es

**Morocco, Tunisia, Algeria**  
KNF Neuberger SAS  
68128 Village-Neuf  
Tel. +33 389 70 35 00  
info@knf.fr  
www.knf.fr

**Singapore** KNF Regional Office  
Tel. +65 9722 1994  
info@knf.com.sg  
www.knf.com.sg

**Sweden, Finland, Denmark, Norway**  
KNF Neuberger AB  
117 43 Stockholm  
Tel. +46 8 744 51 13  
info@knf.se  
www.knf.se

**Switzerland** KNF Neuberger AG  
8362 Balzerswil  
Tel. +41 71 973 99 30  
knf@knf.ch  
www.knf.ch

**UK, Ireland** KNF Neuberger U.K., Ltd.  
Witney, Oxfordshire OX28 4FA  
Tel. +44 1993 77 83 73  
info@knf.co.uk  
www.knf.co.uk

**USA, Canada** KNF Neuberger, Inc.  
Trenton, NJ 08691-1810  
Tel. +1 609 890 8600  
knfusa@knf.com  
www.knfusa.com

## KNF PRODUCT CENTERS

**Gas Pumps** KNF Neuberger GmbH  
DE-79112 Freiburg  
info@knf.de  
www.knf.de

**Micro Gas Pumps** KNF Micro AG  
CH-6260 Reiden  
info@knf-micro.ch  
www.knf-micro.ch

**Liquid Pumps** KNF Flodos AG  
CH-6210 Sursee  
info@knf-flodos.ch  
www.knf-flodos.ch