

NPK 25, NPK 050 AND NPK 0100 SERIES SWING PISTON VACUUM PUMPS AND COMPRESSORS



NPK 25 AC



NPK 050 AC



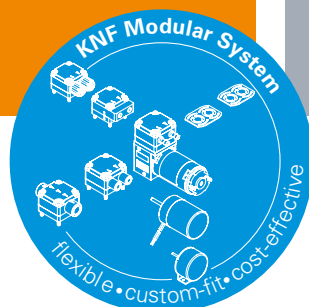
NPK 0100 AC

ADVANTAGES

- High level of performance in a compact size
- High pressure up to 5 bar rel./72.5 psig
- Robust design

POSSIBLE AREAS OF USE

- Medical technology – particularly for independent supply of compressed air
- Environmental technology – especially for scavenging air



Please visit our website
www.knf.com
to get more information

PERFORMANCE DATA

Series model	NPK 25 DC	NPK 25 AC	NPK 050 AC	NPK 0100 AC
Flow rate at atm. pressure (l/min)	25.0	30.0	50.0	78.0
Ultimate vacuum (mbar abs.)	180		80	
Max. operating pressure (bar rel./psig)	4.0/58.0	5.0/72.5	2.0/29.0	
Permissible ambient temperature (°C)	+5 ... +40			
Permissible media temperature (°C)	+5 ... +40			
Weight (kg/lbs)	4.3/9.5	5.2/11.4	5.6/12.3	7.8/17.2

ELECTRICAL DATA

Voltage (V)	24	230		
Motor	DC motor	Capacitor motor		
Protection class motor	IP 50	IP 20		
Frequency (Hz)	-	50		
Power P ₁ (W)	92.0	230	240	320
I _{max} (A)	3.80	1.20	1.30	1.50

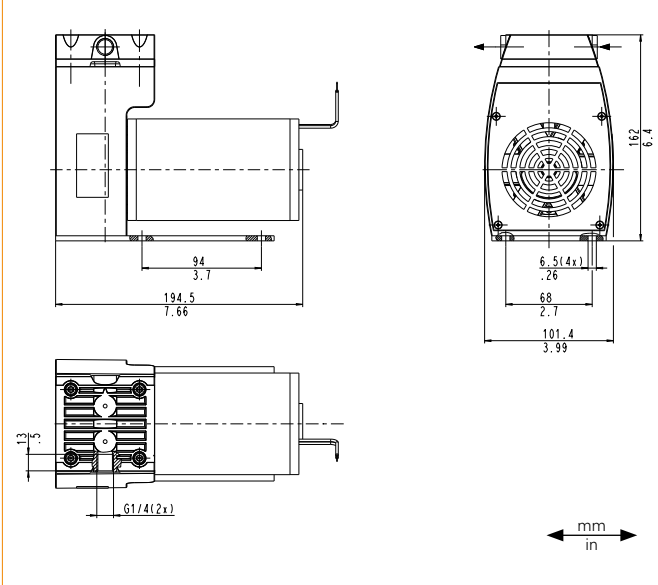
NPK 25 DC

PERFORMANCE DATA

Series model	Flow rate at atm. pressure (l/min) ¹⁾	Max. operating pressure (bar rel./psig)	Ultimate vacuum (mbar abs.)
NPK 25 DC	25.0	4.0/58.0	180

¹⁾ Liter at STP

NPK 25 DC



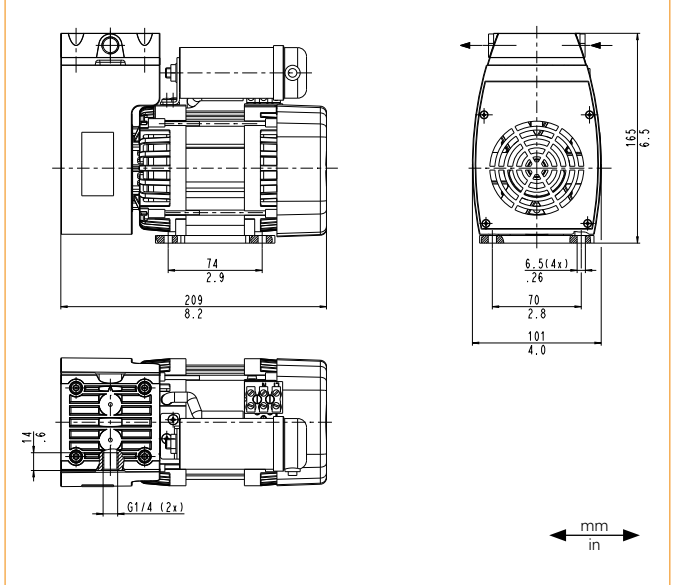
NPK 25 AC

PERFORMANCE DATA

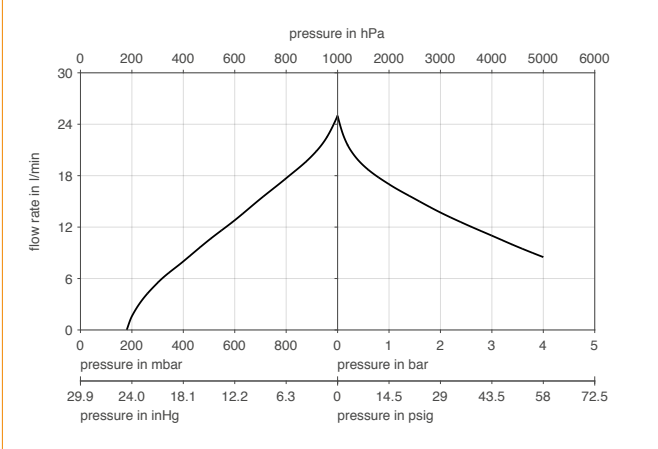
Series model	Flow rate at atm. pressure (l/min) ¹⁾	Max. operating pressure (bar rel./psig)	Ultimate vacuum (mbar abs.)
NPK 25 AC	30.0	5.0/72.5	180

¹⁾ Liter at STP

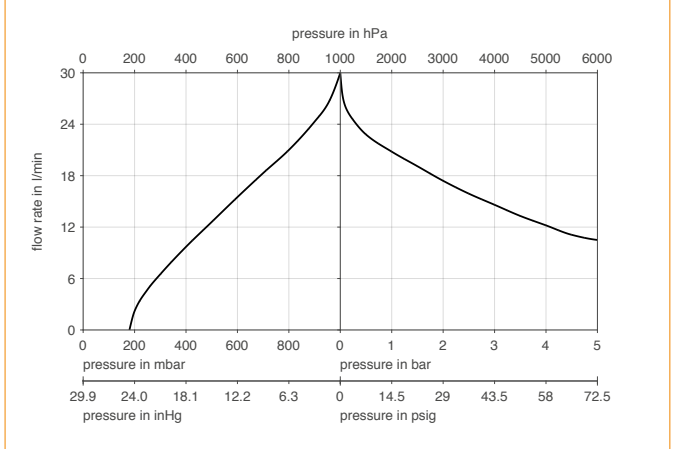
NPK 25 AC



NPK 25 DC



NPK 25 AC



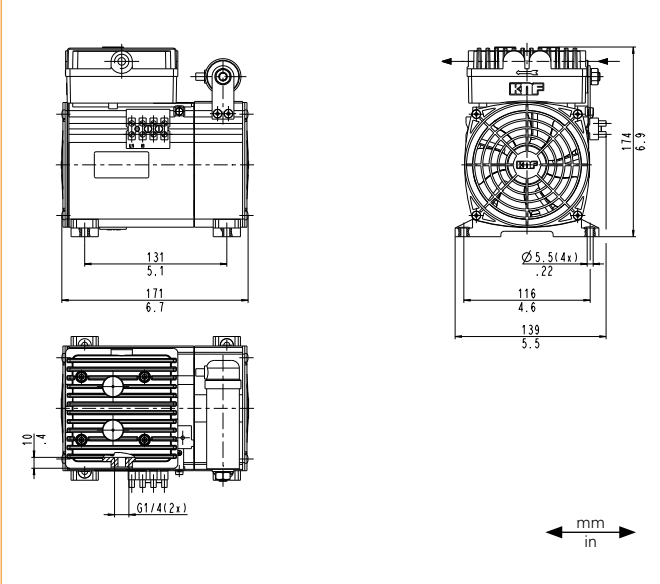
NPK 050 AC

PERFORMANCE DATA

Series model	Flow rate at atm. pressure (l/min) ¹⁾	Max. operating pressure (bar rel./psig)	Ultimate vacuum (mbar abs.)
NPK 050 AC	50.0	2.0/29.0	80

¹⁾ Liter at STP

NPK 050 AC



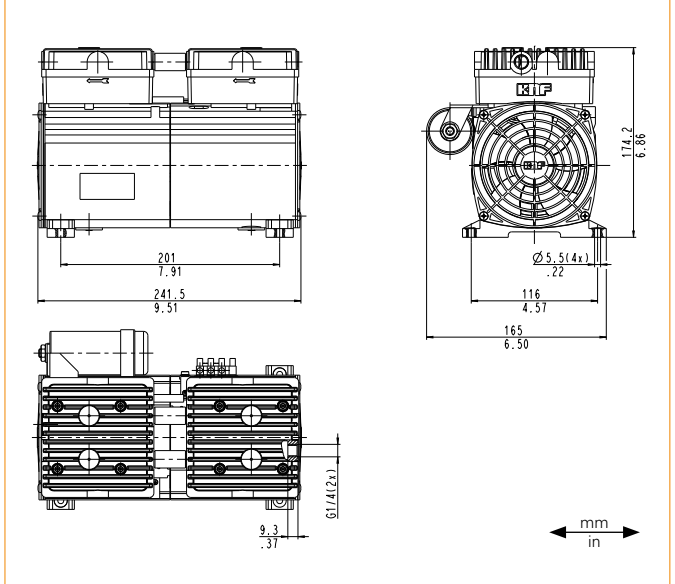
NPK 0100 AC

PERFORMANCE DATA

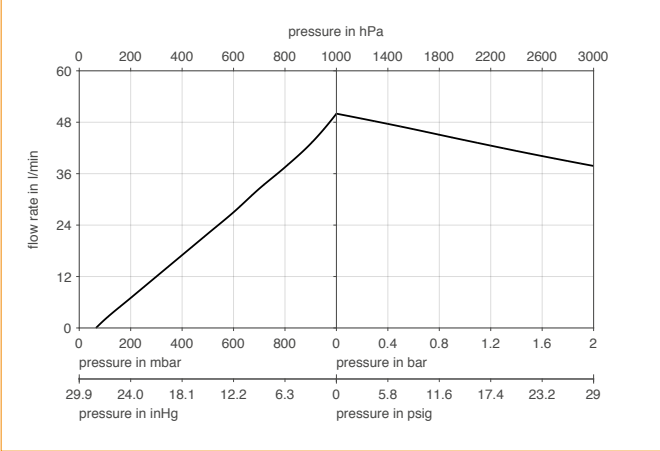
Series model	Flow rate at atm. pressure (l/min) ¹⁾	Max. operating pressure (bar rel./psig)	Ultimate vacuum (mbar abs.)
NPK 0100 AC	78.0	2.0/29.0	80

¹⁾ Liter at STP

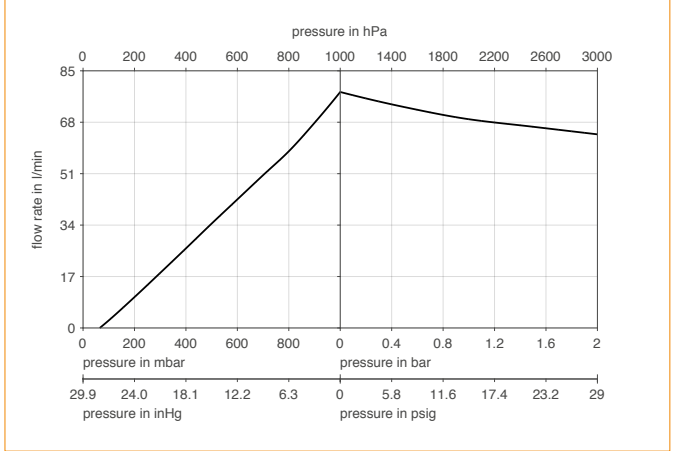
NPK 0100 AC



NPK 050 AC



NPK 0100 AC



ACCESSORIES

Description	Part No.	Details
Silencer/Inlet filter G 1/4	007007	NPK 25
Silencer/Inlet filter G 1/4	020381	NPK 050
Silencer/Inlet filter G 1/4	020414	NPK 0100
Hose connector G 1/4 for tube ID 9 mm	000362	NPK 25 050 0100
Gasket for hose connector	001818	NPK 25 050 0100

SPARE PARTS

Description	Part No.	Details
Spare parts NPK 25		
Piston seal	112635	
Valve plate	113984	
Countersunk screw	110712	
O-ring D 32 x 2.0	116407	
O-ring D 8.0 x 1.0	116408	
O-ring D 50 x 2.0	006709	
Spare parts NPK 050 0100		
Piston seal	024822	
Reed valves	017592	
Countersunk screw NPK 050	024848	
Countersunk screw NPK 0100	024847	
Gasket	017410	
O-ring D 70 x 2.0	002443	

The performance values for the series models shown on this data sheet were determined under test conditions. The actual performance values may differ and depend in particular on the usage conditions and therefore on the specific application, on the parameters of the components involved in the user's system and on any technical modifications carried out which deviate from the standard configuration or the as delivered condition.

If individual designs have been created for specific customers on the basis of series models, other technical performance data may apply.

Before operation begins, the relevant operating instructions and/or assembly or installation instructions should be read and the safety information contained in these instructions should be noted.

KNF reserves the right to make changes to the product and the associated documentation without prior notice to the customer.



www.knf.com

YOUR LOCAL PARTNER AROUND THE WORLD

KNF SALES ORGANIZATION

Australia KNF Regional Office
Moreland West VIC 3055
Tel. +61 3 9386 4959
info@knf.com.au
www.knf.com.au

Benelux Netherlands KNF Verder B.V.
3451 GG Vleuten
Tel. +31 30 677 92 40
info@knf-verder.nl
www.knf-verder.nl

Benelux Belgium and Luxemburg
KNF Verder N.V.
2630 Aartselaar
Tel. +32 3 871 96 24
info@knf.be
www.knf.be

China KNF Technology (Shanghai) Co., Ltd.
Shanghai 201203
Tel. +86 21 5109 9695
info@knf.com.cn
www.knf.com.cn

France KNF Neuberger SAS
68128 Village-Neuf
Tel. +33 389 70 35 00
info@knf.fr
www.knf.fr

Germany KNF Neuberger GmbH
79112 Freiburg
Tel. +49 7664 5909 0
info@knf.de
www.knf.de

India KNF Pumps + Systems (India) Pvt. Ltd.
Hinjewadi Pune 411 057
Tel. +91 20 640 13 923
info@knfpumps.in
www.knfpumps.in

Italy KNF Italia S.r.l.
20063 Cernusco s. Naviglio (MI)
Tel. +39 02 929 04 91
info@knf.it
www.knf.it

Japan KNF Japan Co. Ltd.
Tokyo 104-0033
Tel. +81 3 3551 7931
info@knf.co.jp
www.knf.co.jp

Korea KNF Neuberger Ltd.
135-502 Seoul
Tel. +82 2 959 0255
knf@knfkorea.com
www.knfkorea.com

Latin America KNF Regional Office
Tel. +1 609 649 1010
gb@knf.com
www.knf.com/es

Morocco, Tunisia, Algeria
KNF Neuberger SAS
68128 Village-Neuf
Tel. +33 389 70 35 00
info@knf.fr
www.knf.fr

Singapore KNF Regional Office
Tel. +65 9722 1994
info@knf.com.sg
www.knf.com.sg

Sweden, Finland, Denmark, Norway
KNF Neuberger AB
117 43 Stockholm
Tel. +46 8 744 51 13
info@knf.se
www.knf.se

Switzerland KNF Neuberger AG
8362 Balzerswil
Tel. +41 71 973 99 30
knf@knf.ch
www.knf.ch

UK, Ireland KNF Neuberger U.K., Ltd.
Witney, Oxfordshire OX28 4FA
Tel. +44 1993 77 83 73
info@knf.co.uk
www.knf.co.uk

USA, Canada KNF Neuberger, Inc.
Trenton, NJ 08691-1810
Tel. +1 609 890 8600
knfusa@knf.com
www.knfusa.com

KNF PRODUCT CENTERS

Gas Pumps KNF Neuberger GmbH
DE-79112 Freiburg
info@knf.de
www.knf.de

Micro Gas Pumps KNF Micro AG
CH-6260 Reiden
info@knf-micro.ch
www.knf-micro.ch

Liquid Pumps KNF Flodos AG
CH-6210 Sursee
info@knf-flodos.ch
www.knf-flodos.ch